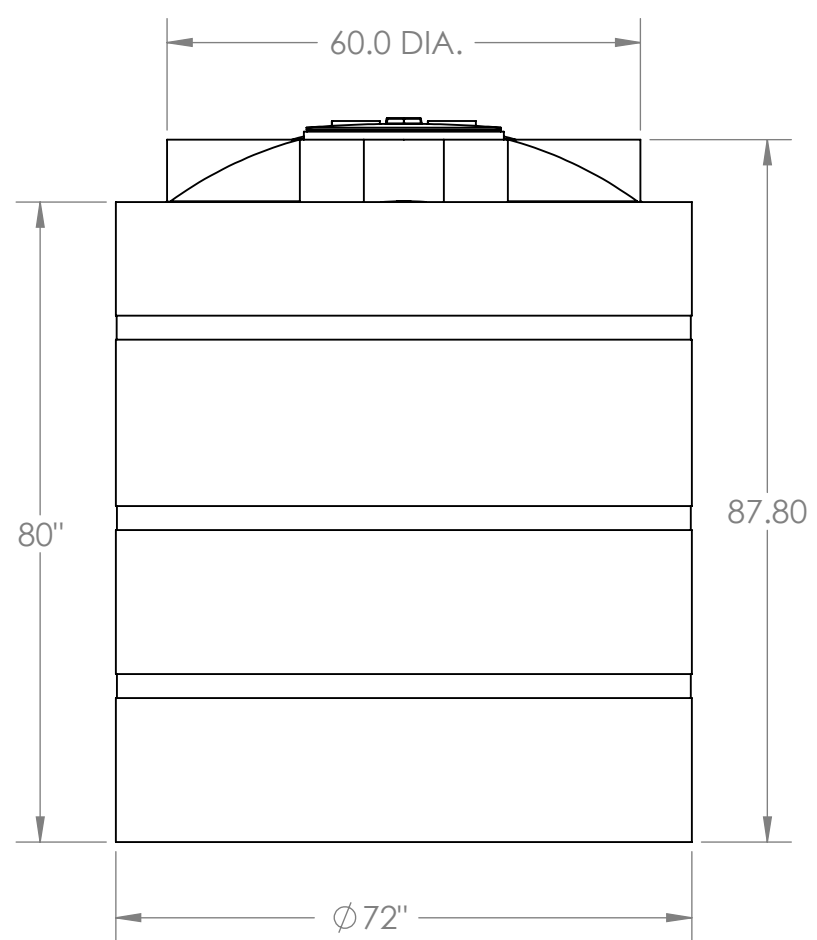
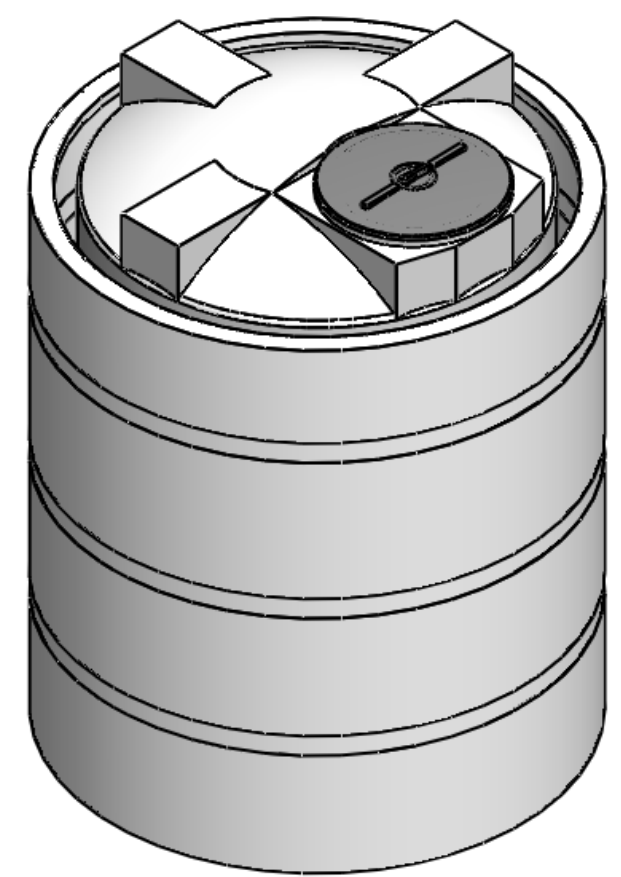
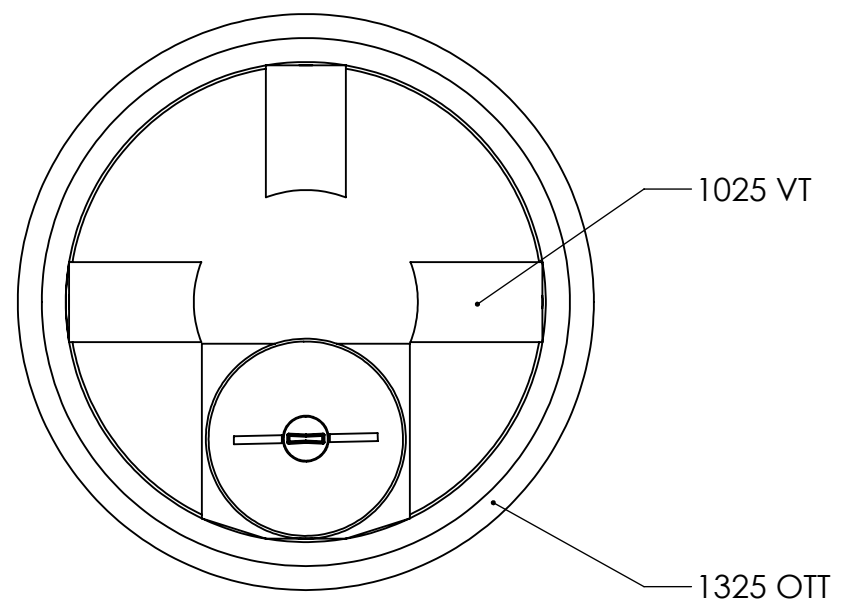


D
C
B
A

D
C
B
A



NOTES:

1. MATERIAL: HDPE
2. PRIMARY TANK STD. = 1.5 S.G. 180 LBS
3. CONTAINMENT STD. = 1.5 S.G. 270 LBS
4. SHIPPING WT. : 450 LBS.

PROPRIETARY AND CONFIDENTIAL
 THE INFORMATION CONTAINED IN THIS DRAWING IS THE SOLE PROPERTY OF <INSERT COMPANY NAME HERE>. ANY REPRODUCTION IN PART OR AS A WHOLE WITHOUT THE WRITTEN PERMISSION OF <INSERT COMPANY NAME HERE> IS PROHIBITED.

		UNLESS OTHERWISE SPECIFIED:		NAME	DATE	CUSTOM ROTO-MOLDING, INC.	
		DIMENSIONS ARE IN INCHES		DRAWN	EBW	1-18-11	TITLE:
		TOLERANCES:		CHECKED			1025 VT - 1325 OTT
		FRACTIONAL ±		ENG APPR.			
		ANGULAR: MACH ± BEND ±		MFG APPR.			SIZE
		TWO PLACE DECIMAL ±		Q.A.			DWG. NO.
		THREE PLACE DECIMAL ±		COMMENTS:			REV
		INTERPRET GEOMETRIC TOLERANCING PER:					SCALE: 1:32 WEIGHT:
		MATERIAL					
NEXT ASSY	USED ON	FINISH					
APPLICATION		DO NOT SCALE DRAWING					